

T-23-HC
 Upright Foodservice Refrigerator, 1 Full Solid Swing Door


Build		Dimensions		Technical	
Door Description	1 Solid Swing Door	External Width (mm)	686	Temperature Holding	0.5 : 3.3°C
Door Opening	Right (standard) or Left.	External Depth (mm)	750	Refrigerant	R290
Exterior Construction	Stainless steel front, aluminium sides & rear	External Height (mm)	2074	Voltage / Frequency / Phase	220-240V/50-60Hz/1
Interior Construction	Clear coated aluminium, stainless steel base	Exclusions	Depth does not include 13 mm for rear access panel.	Amps	1.3
Air Intake Position	Front	Net Volume (Litres)	438	Wattage	299
Ventilation Position	Rear	Gross Volume (Litres)	651	Climate Class	5
Clearance Required	26 mm rear, zero sides	Supplied Shelves	4	Operating Statement	Heavy Duty: This appliance is intended for use in ambient temperatures up to 40°C.
Cord Length (Meters)	2.74	Shelf Size (L x D mm)	582 x 591	Testing Standard	EN 16825
Internal Lighting	LED	Internal Net Height (mm)	1300	EEC	C
Standard w/ Locks	standard	Unpackaged Weight (kg)	112	EI	36.8
		Packaged Weight (kg)	123	kWh/24hr	1.34
		Packaged Dimensions (W x D x H mm)	909 x 788 x 2134	kWh/Annum	489
		Supplied Supports	ø 64 mm castors (83 mm height)	Defrost Type	Auto



Specifications subject to change without notice.
Chart dimensions rounded up to the next whole millimeter (inches rounded up to the 1/8")

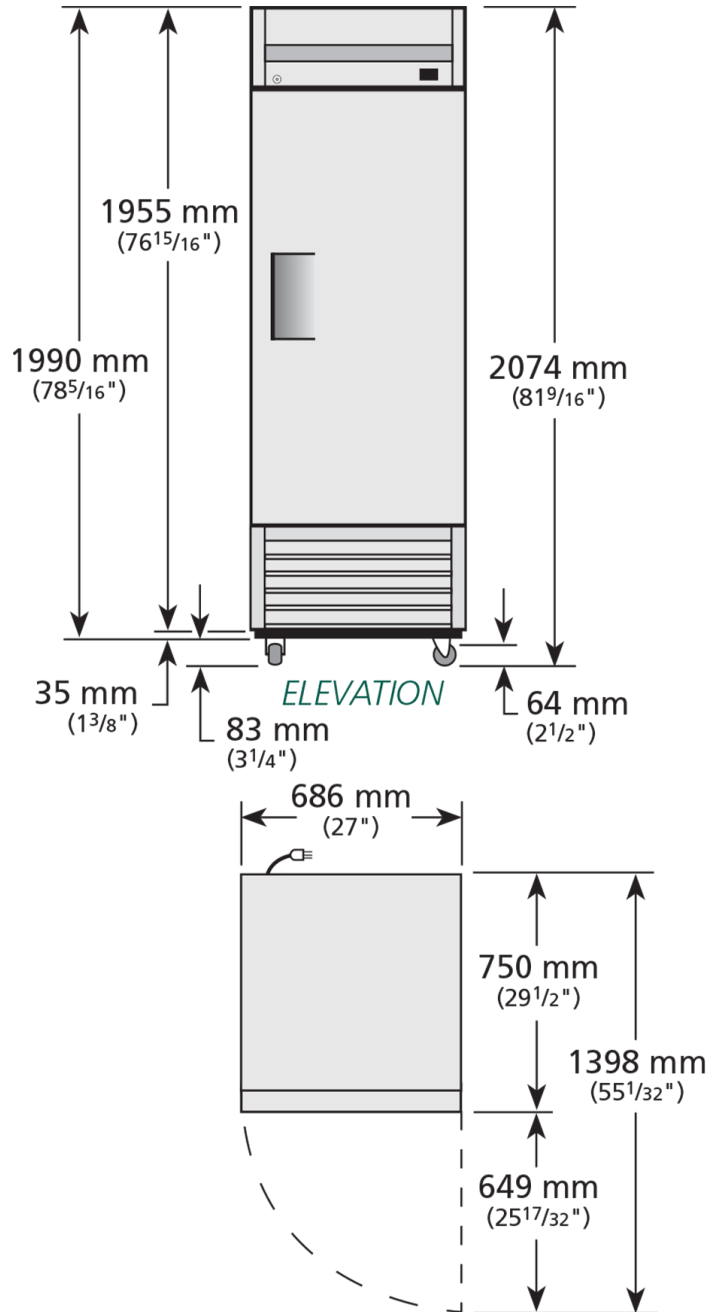
UK & Ireland [0800 783 2049](tel:08007832049)
EMEA [+41 61 563 07 05](tel:+41615630705)
Australia [+61 2 9619 9999](tel:+61296199999)

TfIUK@truemfg.com
TrueGermCustomerService@truemfg.com
TrueRefAus@truemfg.com



T-23-HC

Upright Foodservice Refrigerator, 1 Full Solid Swing Door



Specifications subject to change without notice.
Chart dimensions rounded up to the next whole millimeter (inches rounded up to the 1/8")

UK & Ireland 0800 783 2049
EMEA +41 61 563 07 05
Australia +61 2 9619 9999

TFIUK@truemfg.com
TrueGermCustomerService@truemfg.com
TrueRefAus@truemfg.com

